

≈ AIRTAME

Airtame Go

Installation guide

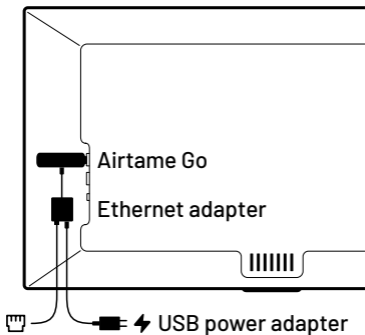


1. Plug in

Option A: Ethernet

Connect the Ethernet adapter to the Airtame Go, Ethernet, and power.

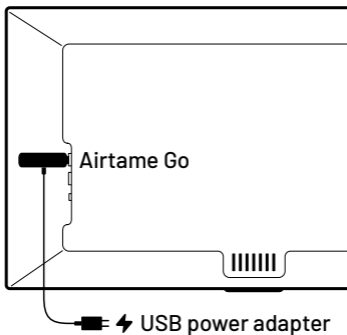
Plug the Airtame Go into the TV.
Use the HDMI extender if needed.



Option B: WiFi

Connect the power to the Airtame Go, and plug it into the TV. Use the HDMI extender if needed.

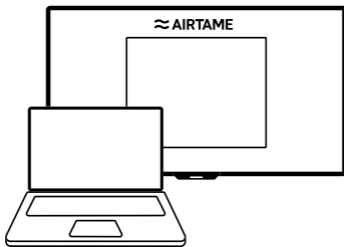
The WiFi password must be entered manually using the remote control.



2. Follow instructions

After the device has powered up, follow the on-screen setup guide.

You'll be up and running in minutes.





Don't factory reset!

Do not perform a factory reset using the remote control.

This will make Airtame Go completely unusable.

Zero-touch deployment

For bulk deployments, Airtame Go supports zero-touch deployment. Pre-claim devices to your Airtame Cloud organization before installation.



To learn more, go to [**airtame.com/zero-touch**](https://airtame.com/zero-touch)

What's in the box

- Airtame Go device
- USB power adapter
- USB power cable
- Ethernet adapter
- Remote control
- Batteries for remote control
- HDMI extender cable
- Installation guide

Not in the box

- Ethernet cable

Safety manual



Find the safety manual at
[airtame.com/docs/
go-safetymanual](https://airtame.com/docs/go-safetymanual)

Need help?



Visit
airtame.com/go-help